

**JINB**<sup>®</sup>  
BALL & ROLLER BEARINGS



# AGRICULTURAL BEARINGS

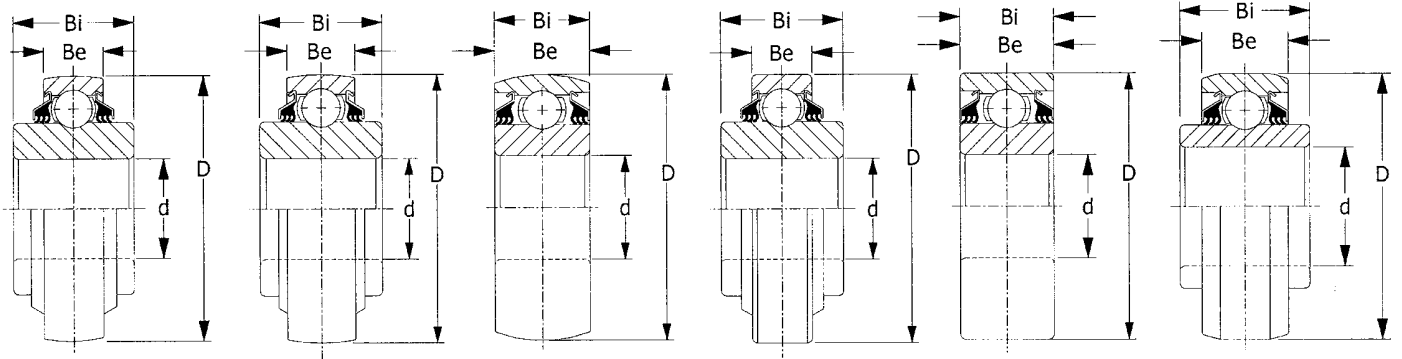
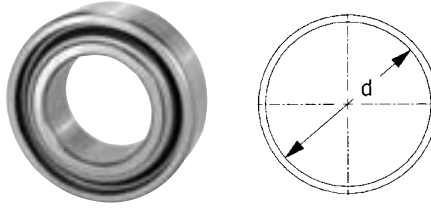
CAT.NO.1202GII-E



SHANGHAI • CHINA

# ROUND BORE NON-RELUBRICABLE

Heavy Duty Disc Harrow Bearings are made with triple lip seals to protect from corrosive environments. This seal is a one piece shroud cover with three molded contact seals. This series is lubricated for life.



**TYPE 1**

**TYPE 2**

**TYPE 3**

**TYPE 4**

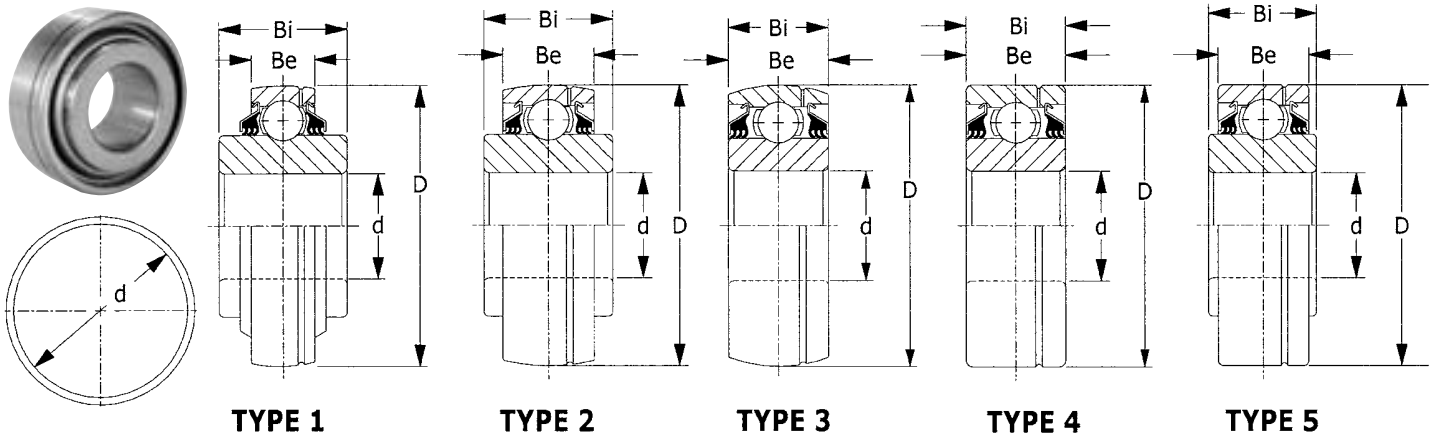
**TYPE 5**

**TYPE 6**

BEARINGS NUMBER	TYPE	d		D		Be		Bi		Load Ratings		Wt. Lbs.
		nominal	TOL. +0/ to minus shown	nominal	TOL. +0/ to minus shown	nominal	TOL. +0/ to minus shown	nominal	TOL. +0/ to minus shown	Dynamic	Static	
W208PPB2	1	1.5005	.0005	3.1496	.0005	.7090	.0050	1.6880	.0050	7,340	3,650	1.59
W208PPB7	2	1.1880	.0005	3.1496	.0005	.7090	.0050	1.1880	.0050	7,340	3,650	1.41
W208PP10	4	1.5005	.0005	3.1496	.0005	.8270	.0050	1.6880	.0050	7,340	3,650	1.50
W208PPB10	1	1.5005	.0005	3.1496	.0005	.8270	.0050	1.6880	.0050	7,340	3,650	1.59
W208PPB23	2	1.5005	.0005	3.1496	.0005	1.1880	.0050	1.6880	.0050	7,340	3,650	1.50
W209PPB2	3	1.7717	.0005	3.3460	.0006	1.1880	.0050	1.1880	.0050	7,350	4,150	1.45
W209PPB4	3	1.5350	.0100	3.3460	.0060	1.1880	.0050	1.1880	.0050	7,350	4,150	1.65
W210PP2	5	1.9380	.0005	3.5433	.0006	1.1880	.0050	1.1880	.0050	7,880	4,650	1.69
W210PPB2	3	1.9380	.0005	3.5430	.0006	1.1880	.0050	1.1880	.0050	7,880	4,650	1.56
W210PPB5	3	1.7850	.0100	3.5430	.0006	1.1880	.0050	1.1880	.0050	7,880	4,650	1.75
W210PP8	5	1.5300	.0100	3.5433	.0006	1.1880	.0050	1.1880	.0050	7,880	4,650	1.97
W210PPB9	2	1.9448	.0070	3.5433	.0006	.9055	.0050	1.4382	.0050	7,880	4,650	1.91
W211PP2	5	2.1880	.0006	3.9370	.0006	1.3120	.0060	1.3120	.0060	9,740	5,850	2.33
W211PPB2	3	2.1880	.0006	3.9370	.0006	1.3120	.0060	1.3120	.0060	9,740	5,850	3.00
W211PPB4	6	2.1880	.0006	3.9370	.0006	1.3120	.0060	2.1870	.0060	9,740	5,850	3.63
W214PP2	5	2.7559	.0006	4.9213	.0008	1.5620	.0060	1.5620	.0060	14,000	8,800	4.19
W214PPB2	3	2.7559	.0006	4.9213	.0008	1.5620	.0060	1.5620	.0060	14,000	8,800	3.96
W214PPB9	3	2.7660	.0010	4.9213	.0008	1.1020	.0060	1.7500	.0060	14,000	8,800	3.96

# ROUND BORE RELUBRICABLE

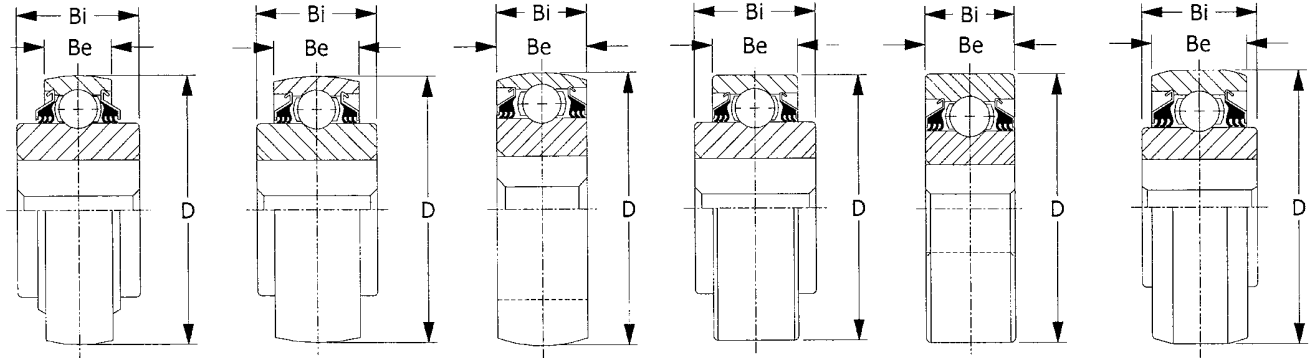
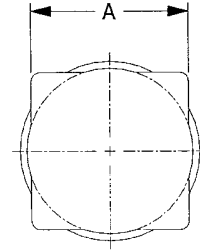
Heavy Duty Disc Harrow Bearings are made with triple lip seals to protect from corrosive environments. This seal is a one piece shroud cover with three molded contact seals. Standard relubrication feature is a drilled hole in groove.



BEARINGS NUMBER	TYPE	d		D		Be		Bi		Load Ratings		Wt. Lbs.
		nominal	TOL.+0/ to minus shown	nominal	TOL.+0/ to minus shown	nominal	TOL.+0/ to minus shown	nominal	TOL.+0/ to minus shown	Dynamic	Static	
GW209PPB2	3	1.7717	.0005	3.3465	.0006	1.1880	.0050	1.1880	.0050	7,350	4,150	1.44
GW209PPB4	3	45.000	.013	85.000	.015	30.175	.127	30.175	.127	7,350	4,150	1.65
		1.5350	.0100	3.3465	.0006	1.1880	.0050	1.1880	.0050			
GW209PPB11	1	39.000	.254	85.000	.015	30.175	.127	30.175	.127	7,350	4,150	1.37
		1.7810	.0100	3.3465	.0006	.8660	.0050	1.4380	.0050			
		45.237	.254	85.000	.015	22.000	.127	36.525	.127			
GW210PPB2	3	1.9380	.0005	3.5433	.0006	1.1880	.0050	1.1880	.0050	7,880	4,650	1.50
GW210PPB5	3	49.225	.013	90.000	.015	30.175	.127	30.175	.127	7,880	4,650	1.8
		1.7850	.0100	3.5433	.0006	1.1880	.0050	1.1880	.0050			
GW210PP9	5	45.339	.254	90.000	.015	30.175	.127	30.175	.127	7,880	4,650	1.75
		1.9450	.0070	3.5433	.0006	.9060	.0050	1.4380	.0050			
		49.403	.178	90.000	.015	23.000	.127	36.525	.127			
GW211PP2	4	2.1880	.0006	3.9370	.0006	1.3120	.0060	1.3120	.0060	9,740	5,850	3.00
GW211PPB2	3	55.575	.015	100.000	.015	33.325	.152	33.325	.152	9,740	5,850	2.62
		2.1880	.0006	3.9370	.0006	1.3120	.0060	1.3120	.0060			
GW211PPB8	1	55.575	.015	100.000	.015	33.325	.152	33.325	.152	9,740	5,850	1.85
		2.1880	.0006	3.9370	.0006	.9840	.0060	1.3120	.0060			
GW211PPB9	1	55.575	.015	100.000	.015	25.000	.152	33.325	.152	9,740	5,850	2.02
		2.1950	.0070	3.9370	.0006	.9840	.0060	1.5620	.0060			
GW211PPB10	3	55.753	.178	100.000	.015	25.000	.152	39.675	.152	9,740	5,850	2.26
		1.9380	.0006	3.9370	.0006	1.3120	.0060	1.3120	.0060			
GW211PPB13	1	49.225	.015	100.000	.015	33.325	.152	33.325	.152	9,740	5,850	2.02
		1.7850	.0100	3.9370	.0006	.9840	.0060	1.3120	.0060			
GW211PPB14	1	45.339	.254	100.000	.015	25.000	.152	33.325	.152	9,740	5,850	2.00
		2.0150	.0100	3.9370	.0006	.9840	.0060	1.3120	.0060			
GW211PP25	5	51.181	.254	100.000	.015	25.000	.152	33.325	.152	9,740	5,850	2.44
		1.7800	.0050	3.9370	.0006	1.3120	.0060	1.7500	.0060			
		45.212	.127	100.000	.015	33.325	.152	44.450	.152			
GW214PP2	4	2.7559	.0006	4.9213	.0008	1.5620	.0060	1.5620	.0060	14,000	8,800	4.19
GW214PPB2	3	70.000	.015	125.000	.020	39.675	.152	39.675	.152	14,000	8,800	3.96
		2.7559	.0006	4.9213	.0008	1.5620	.0060	1.5620	.0060			
GW214PPB3	3	70.000	.015	125.000	.020	39.675	.152	39.675	.152	14,000	8,800	4.24
		1.9380	.0006	4.9213	.0008	1.5620	.0060	1.5620	.0060			
GW214PPB5	2	49.225	.015	125.000	.020	39.675	.152	39.675	.152	14,000	8,800	4.75
		2.7559	.0006	4.9213	.0008	1.5620	.0060	2.4380	.0060			
GW214PPB6	1	70.000	.015	125.000	.020	39.675	.152	61.925	.152	14,000	8,800	5.14
		2.6881	.0006	4.9213	.0008	1.1024	.0060	2.6875	.0060			
		68.278	.015	125.000	.020	28.000	.152	68.263	.152			

# SQUARE BORE NON-RELUBRICABLE

Heavy Duty Disc Harrow Bearings are made with triple lip seals to protect from corrosive environments. This seal is a one piece shroud cover with three molded contact seals. This series is lubricated for life.



**TYPE 1**

**TYPE 2**

**TYPE 3**

**TYPE 4**

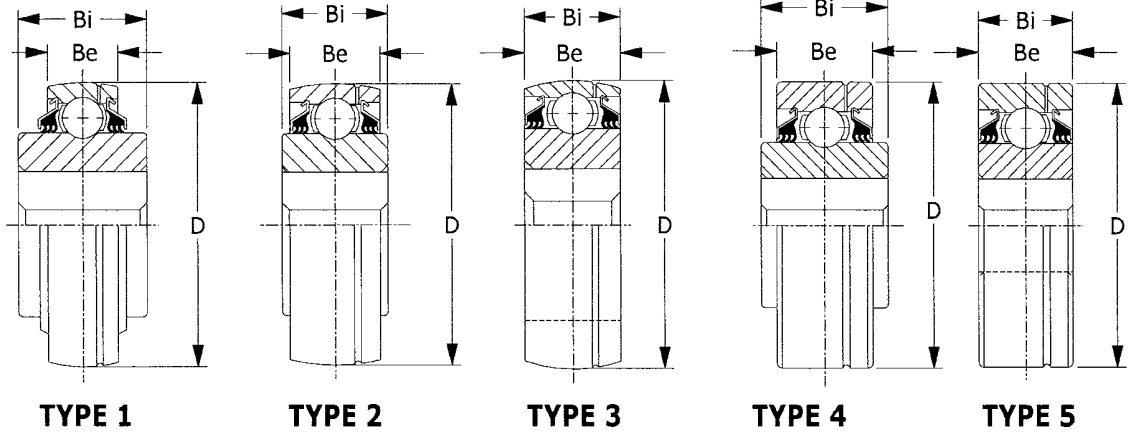
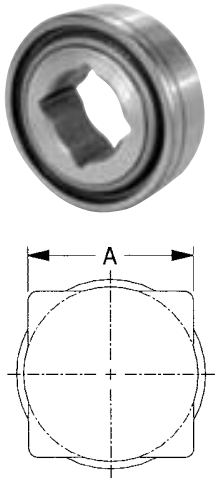
**TYPE 5**

**TYPE 6**

BEARINGS NUMBER	TYPE	Shaft Size	A		D			Be nominal	Bi nominal	Be & Bi TOL. +0/ to minus	Load Ratings		Wt. Lbs.
			nominal	Tol.	nominal	TOL. +0/ to minus shown	Dynamic				Static		
W208PP5	4	1 1/8	1.1800	±.005	3.1496	.0005	.7090	1.4380	.0050	7,340	3,650	1.50	
		28.575	29.970	.127	80.000	.013	18.000	36.520	.127				
W208PPB5	1	1 1/8	1.1800	±.005	3.1496	.0005	.7090	1.4380	.0050	7,340	3,650	1.47	
		28.575	29.970	.127	80.000	.013	18.000	36.520	.127				
W208PP6	4	1	1.0300	±.005	3.1496	.0005	.7090	1.4380	.0050	7,340	3,650	1.62	
		25.400	26.162	.127	80.000	.013	18.000	36.520	.127				
W208PPB6	1	1	1.0300	±.005	3.1496	.0005	.7090	1.4380	.0050	7,340	3,650	1.59	
		25.400	26.162	.127	80.000	.013	18.000	36.520	.127				
W208PP8	4	1 1/8	1.1800	±.005	3.1496	.0005	1.1880	1.4380	.0050	7,340	3,650	1.66	
		28.575	29.972	.127	80.000	.013	30.175	36.520	.127				
W208PPB8	2	1 1/8	1.1800	±.005	3.1496	.0005	1.1880	1.4380	.0050	7,340	3,650	1.66	
		28.575	29.972	.127	80.000	.013	30.175	36.520	.127				
W208PPB9	2	1	1.0300	±.005	3.1496	.0005	1.1880	1.4380	.0050	7,340	3,650	1.74	
		25.400	26.162	.127	80.000	.013	30.175	36.520	.127				
W208PPB11	6	7/8	.9050	±.005	3.3760	.0005	1.1880	1.4380	.0050	7,340	3,650	2.05	
		22.225	23.000	.127	85.750	.013	30.175	36.520	.127				
W208PPB12	6	1 1/8	1.1800	±.005	3.3760	.0005	1.1880	1.4380	.0050	7,340	3,650	1.62	
		28.575	29.972	.127	85.750	.013	30.175	36.520	.127				
W208PPB13	1	7/8	.9050	±.005	3.1496	.0005	.7090	1.4380	.0050	7,340	3,650	1.62	
		22.225	23.000	.127	80.000	.013	18.000	36.520	.127				
W209PPB5	2	1 1/4	1.2900	±.005	3.3465	.0005	1.1880	1.4380	.0050	7,350	4,150	1.75	
		31.750	32.766	.127	85.000	.013	30.175	36.520	.127				
W209PPB7	6	1 1/4	1.2900	±.005	3.3760	.0005	1.1880	1.4375	.0050	7,350	4,150	1.80	
		31.750	32.766	.127	85.750	.013	30.175	36.510	.127				
W210PP4	5	1 1/8	1.1800	±.005	3.5433	.0005	1.1880	1.1880	.0050	7,880	4,650	1.92	
		28.575	29.972	.127	90.000	.013	30.175	30.150	.127				
W210PPB4	3	1 1/8	1.1800	±.005	3.5433	.0005	1.1880	1.1880	.0050	7,880	4,650	2.11	
		28.575	29.972	.127	90.000	.013	30.175	30.175	.127				
W210PPB6	2	1 1/8	1.1800	±.005	3.5433	.0005	1.1880	1.4380	.0050	7,880	4,650	2.11	
		28.575	29.972	.127	90.000	.013	30.175	36.520	.127				
W211PP3	5	1 1/2	1.5311	±.005	3.9370	.0006	1.3120	1.3120	.0060	9,740	5,850	2.79	
		38.100	38.890	.127	100.00	.015	33.324	33.324	.152				
W211PPB3	3	1 1/2	1.5311	±.005	3.9370	.0006	1.3120	1.3120	.0060	9,740	5,850	2.66	
		38.100	38.890	.127	100.00	.015	33.324	33.324	.152				
W211PP5	4	1 1/2	1.5311	±.005	4.0000	.0006	1.4380	1.7500	.0060	9,740	5,850	3.38	
		38.100	38.890	.127	101.600	.015	36.520	44.450	.152				
W211PPB6	6	1 1/2	1.5311	±.005	4.0770	.0006	1.4380	1.7500	.0060	9,740	5,850	4.05	
		38.100	38.890	.127	103.556	.015	36.520	44.450	.152				

# SQUARE BORE RELUBRICABLE

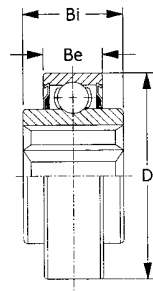
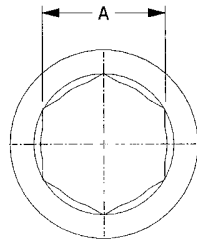
Heavy Duty Disc Harrow Bearings are made with triple lip seals to protect from corrosive environments. This seal is a one piece shroud cover with three molded contact seals. Standard relubrication feature is a drilled hole in groove.



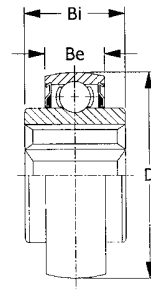
BEARINGS NUMBER	TYPE	Shaft Size	A		D		Be nominal	Bi nominal	Be & Bi TOL. +0/to minus shown	Load Ratings		Wt. Lbs.
			nominal	Tol.	nominal	TOL. +0/to minus shown				Dynamic	Static	
GW208PPB5	1	1 1/8	1.1800	±.005	3.1496	.0005	.8270	1.4380	.0050	7,340	3,650	1.47
		28.575	29.972	.127	80.000	.013	21.000	36.525	.127			
GW208PPB6	1	1	1.0300	±.005	3.1496	.0005	.8270	1.4380	.0050	7,340	3,650	1.75
		25.400	26.162	.127	80.000	.013	21.000	36.525	.127			
GW208PPB8	2	1 1/8	1.1800	±.005	3.1496	.0005	1.1880	1.4380	.0050	7,340	3,650	1.75
		28.575	29.972	.127	80.000	.013	30.175	36.525	.127			
GW208PP17	4	1 1/8	1.1800	±.005	3.3755	.0005	1.1880	1.4380	.0500	7,340	3,650	2.04
		28.575	29.972	.127	85.738	.013	30.175	36.525	.127			
GW208PPB17	2	1 1/8	1.1800	±.005	3.3755	.0005	1.1880	1.4380	.0050	7,340	3,650	2.04
		28.575	29.972	.127	85.738	.013	30.175	36.525	.127			
GW209PPB5	2	1 1/4	1.2900	±.005	3.3465	.0006	1.1880	1.4380	.0050	7,350	4,150	1.75
		31.750	32.776	.127	85.000	.015	30.175	36.525	.127			
GW209PPB8	1	1 1/4	1.2900	±.005	3.3465	.0006	.8660	1.4380	.0050	7,350	4,150	1.65
		31.750	32.776	.127	85.000	.015	22.000	36.525	.127			
GW210PP4	5	1 1/8	1.1800	±.005	3.5433	.0006	1.1880	1.1880	.0050	7,880	4,650	2.31
		28.575	29.972	.127	90.000	.015	30.175	30.175	.127			
GW210PPB4	3	1 1/8	1.1800	±.005	3.5433	.0006	1.1880	1.1880	.0050	7,880	4,650	1.75
		28.575	29.972	.127	90.000	.015	30.175	30.175	.127			
GW211PP3	5	1 1/2	1.5311	±.005	3.9370	.0006	1.3120	1.3120	.0060	9,740	5,850	2.79
		38.100	39.890	.127	100.000	.015	33.325	33.325	.152			
GW211PPB3	3	1 1/2	1.5311	±.005	3.9370	.0006	1.3120	1.3120	.0060	9,740	5,850	2.66
		38.100	38.890	.127	100.000	.015	33.325	33.325	.152			
GW211PP5	4	1 1/2	1.5311	±.005	4.0000	.0006	1.4380	1.7500	.0060	9,740	5,850	2.69
		38.100	38.890	.127	101.600	.015	36.525	44.450	.152			
GW211PP17	4	1 1/2	1.5311	±.005	3.9370	.0006	1.3120	1.7500	.0060	9,740	5,850	2.62
		38.100	38.890	.127	100.000	.015	33.325	44.450	.152			
GW211PPB17	1	1 1/2	1.5311	±.005	3.9370	.0006	1.3120	1.7500	.0060	9,740	5,850	2.55
		38.100	38.890	.127	100.000	.015	33.325	44.450	.152			
GW214PPB4	3	2	2.0551	±.005	4.9213	.0008	1.5620	1.5620	.0060	14,000	8,800	4.75
		50.800	52.200	.127	125.000	.020	39.675	39.675	.152			
GW216PP2	4	2 1/4	2.3150	±.005	5.5118	.0008	1.1810	2.5000	.0060	16,280	10,400	6.32
		57.150	58.800	.127	140.000	.020	30.000	63.500	.152			

# HEX BORE SERIES

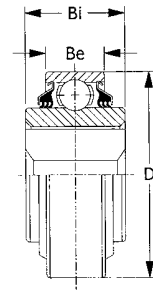
This series features a hex bore. Used in applications where collars, set screws, or any other locking devices are not required. Also available relubricable-prefix "G".



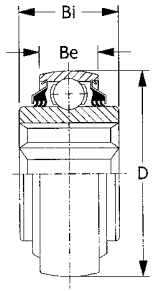
TYPE 1



TYPE 2



TYPE 3



TYPE 4

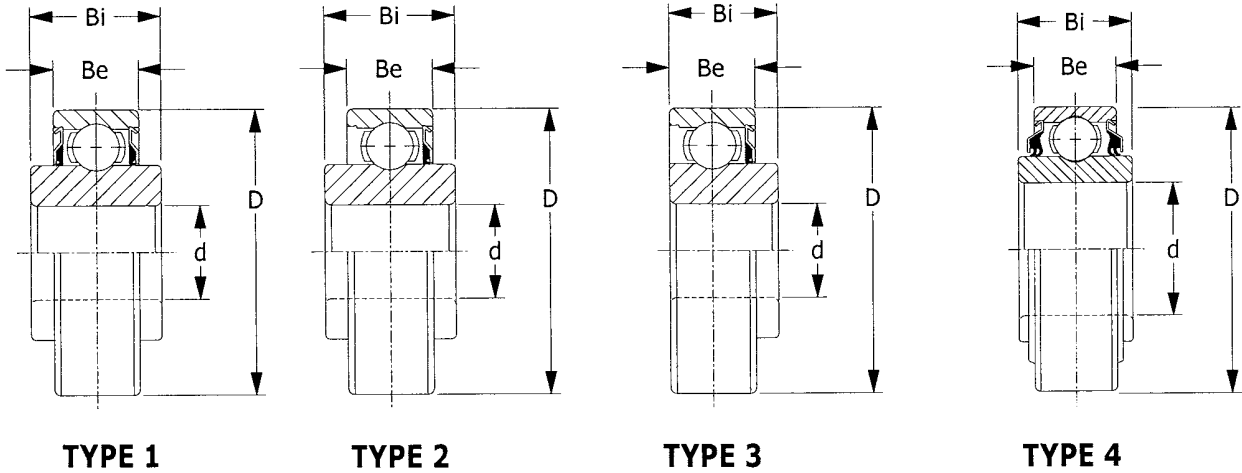
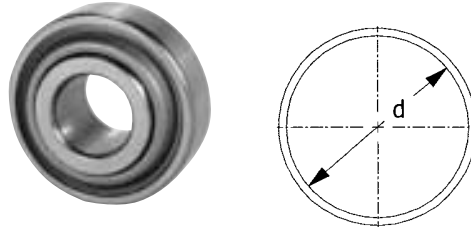
BEARINGS NUMBER	TYPE	Hex Shaft Size	A nominal	"B" & "A" TOL. - 0/ to plus	D nominal	D TOL. + 0/ to		Be nominal	Bi nominal	Be & Bi TOL. +0/ to minus shown	Load Ratings		Wt. Lbs.
						minus shown	plus shown				Dynamic	Static	
202KRR3	1	9/16"	.5630 14.300	.0050 .127	1.3780 35.000	.0005 .013	.4330 11.000	.5120 13.000	.0050 .127	2,160	1,000	.12	
204KPP2	3	11/16"	.6950 17.653	.0050 .127	1.8504 47.000	.0005 .013	.5510 14.000	.8250 20.955	.0050 .127	2,900	1,000	.34	
204KRR2	1	11/16"	.6950 17.653	.0050 .127	1.8504 47.000	.0005 .013	.5510 14.000	.8250 20.955	.0050 .127	2,900	1,410	.32	
204KRRB2	2	11/16"	.6950 17.653	.0050 .127	1.8504 47.000	.0005 .013	.5510 14.000	.8250 20.955	.0050 .127	2,900	1,410	.32	
205KPP2	3	7/8"	.8760 22.250	.0050 .127	2.0472 52.000	.0005 .013	.5910 15.000	1.0000 25.400	.0050 .127	3,150	1,610	.47	
205KRR2	1	7/8"	.8760 22.250	.0050 .127	2.0472 52.000	.0005 .013	.5910 15.000	1.0000 25.400	.0050 .127	3,150	1,610	.44	
205KPPB2	4	7/8"	.8760 22.250	.0050 .127	2.0472 52.000	.0005 .013	.5910 15.000	1.0000 25.400	.0050 .127	3,150	1,610	.47	
205KRRB2	2	7/8"	.8760 22.250	.0050 .127	2.0472 52.000	.0005 .013	.5910 15.000	1.0000 25.400	.0050 .127	3,150	1,610	.44	
206KRR6	1	1"	1.0010 25.425	.0050 .127	2.4409 62.000	.0005 .013	.6300 16.000	.9450 24.000	.0050 .127	4,370	2,320	.75	
206KRRB6	2	1"	1.0010 25.425	.0050 .127	2.4409 62.000	.0005 .013	.6300 16.000	.9450 24.000	.0050 .127	4,370	2,320	.75	
G207KPPB2*	4	1 1/8"	1.1260 28.600	.0050 .127	2.8346 72.000	.0005 .013	.7480 19.000	1.4840 37.694	.0050 .127	5,770	3,150	1.10	
207KRRB9	2	1 1/8"	1.1260 28.600	.0050 .127	2.8346 72.000	.0005 .013	.6690 17.000	1.4840 37.694	.0050 .127	5,770	3,150	1.00	
207KRRB12	2	1 1/8"	1.1260 28.600	.0050 .127	2.8346 72.000	.0005 .013	.6690 17.000	.9840 25.000	.0050 .127	5,770	3,150	.87	
GW208PPB22	4	1 1/4"	1.2510 31.877	.0050 .127	3.1496 80.000	.0005 .013	.8270 21.000	1.4380 36.520	.0050 .127	7,340	3,650	1.50	
W208KRRB6	2	1 3/8"	1.3760 34.950	.0050 .127	3.1496 80.000	.0005 .013	.8270 21.000	1.4380 1.438	.0050 .127	7,340	3,650	1.31	
W208PPB16	4	1 1/4"	1.2510 31.775	.0050 .127	3.1496 80.000	.0005 .013	.7090 18.000	1.4380 36.520	.0050 .127	7,340	3,650	1.45	
W208PP21	3	1 1/4"	1.2510 31.775	.0050 .127	3.1496 80.000	.0005 .013	.7090 18.000	1.4380 36.520	.0050 .127	7,340	3,650	1.45	
G209KPPB2*	4	1 1/2"	1.5010 38.125	.0050 .127	3.3465 85.000	.0006 .015	.7480 19.000	1.1810 30.000	.0050 .127	7,350	4,150	1.26	
G5209KYYB2*		1 1/2"	1.5010 38.125	.0050 .127	3.3465 85.000	.0006 .015	1.1811 30.000	1.2992 33.000	.0050 .127	9,330	7,580	1.27	
209KRRB2	2	1 1/2"	1.5010 38.125	.0050 .127	3.3465 85.000	.0006 .015	.7480 19.000	1.1810 30.000	.0050 .127	7,350	4,150	1.27	
210PPB20	3	1 1/4"	1.2550 31.877	.0050 .127	3.5433 90.000	.0006 .015	0.8661 22.000	1.4350 36.450	.0050 .127	9,070	5,675	2.00	
210PP20	3	1 1/4"	1.2550 31.877	.0050 .127	3.5433 90.000	.0006 .015	0.8661 22.000	1.435 36.450	.0050 .127	9,070	5,675	2.05	
G210KPPB2*	4	1 1/2"	1.5010 38.125	.0050 .127	3.5433 90.000	0.115 0.13	0.8661 22.000	1.1811 30.000	.0050 .127	7,780	4,650		
GC211-32-NLC*	3	1 3/4"	1.7510 44.475	.0050 .127	3.9370 100.000	.0006 .015	.9840 25.000	2.2500 57.150	.0060 .152	9,740	5,850	3.35	

\*Relubricable

\*\* Double row bearing with double lip shroud seals.

# 200 SERIES

This series incorporates a standard Conrad type bearing with a special heavy contact seal. This allows use in heavily contaminated areas.

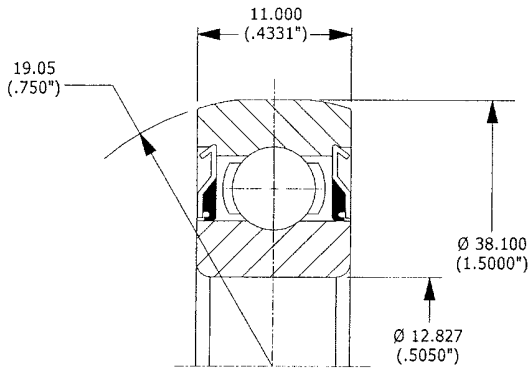


BEARINGS NUMBER	TYPE	d		D		Bi		Be		Load Ratings		Wt. Lbs.
		nominal	TOL. +0/ to minus	nominal	TOL. +0/ to minus	nominal	TOL. +0/ to minus	nominal	TOL. +0/ to minus	Dynamic	Static	
203KR2	3	.6253	.0003	1.5748	.0005	.5510	.0050	.4724	.0050	2,160	889	.18
BB203KRR2*	1	15.883	.008	40.000	.013	14.000	.127	12.000	.127	1,900	825	.16
		16.260	.127	40.000	.013	18.288	.127	12.000	.127			
203KRR2	1	.6400	.0050	1.5748	.0005	.7200	.0050	.4724	.0050	2,160	889	.16
		16.260	.127	40.000	.013	18.288	.127	12.000	.127			
BB203KRR2FD**	4	.6400	.0050	1.5748	.0005	.7200	.0050	.4724	.0050	1,900	825	.17
		16.260	.127	40.000	.013	18.288	.127	12.000	.127			
203KRR5	1	.5150	.0050	1.5748	.0005	.7200	.0050	.4724	.0050	2,160	889	.22
		13.081	.127	40.000	.013	18.288	.127	12.000	.127			
203KRR7	1	.6693	.0003	1.5748	.0005	.6540	.0050	.4724	.0050	2,160	889	.18
		17.000	.008	40.000	.013	16.612	.127	12.000	.127			
207KRR	1	1.3780	.0005	2.8346	.0005	.9840	.0050	.6690	.0050	5,770	3,150	.77
		35.000	.013	72.000	.013	25.000	.127	17.000	.127			
208KRR2	1	1.5748	.0005	3.1496	.0005	1.0630	.0050	.8270	.0050	7,340	3,650	1.04
		40.000	.013	80.000	.013	27.000	.127	21.000	.127			

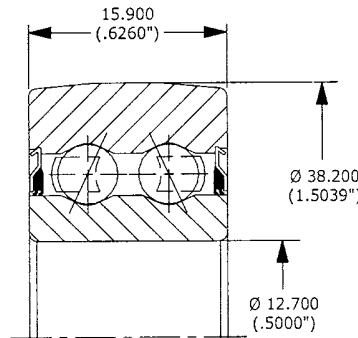
\*BASIC 203KRR2 WITH GOTHIC ARCH RACEWAY.

\*\*BASIC 203KRR2 WITH DOUBLE LIP SEALS AND GOTHIC ARCH RACEWAY.

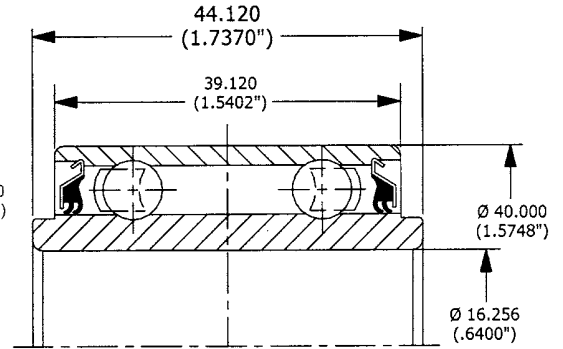
# SPECIALS



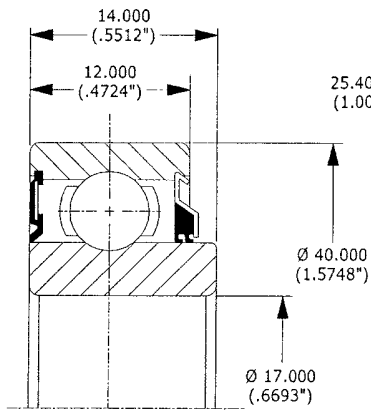
**202NPP9**



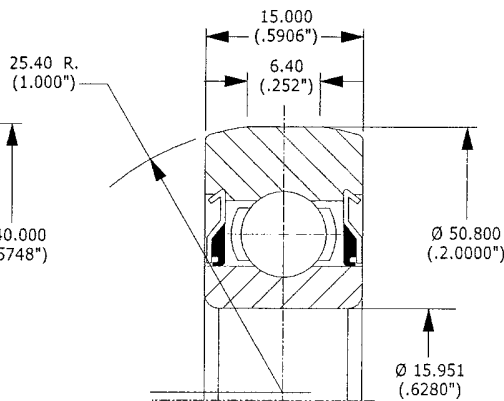
**CF5202-2RST-8**



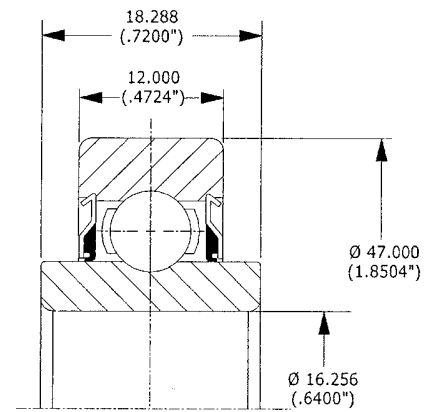
**5203KYY2**



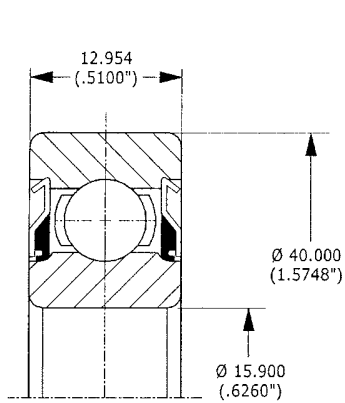
**203JD**



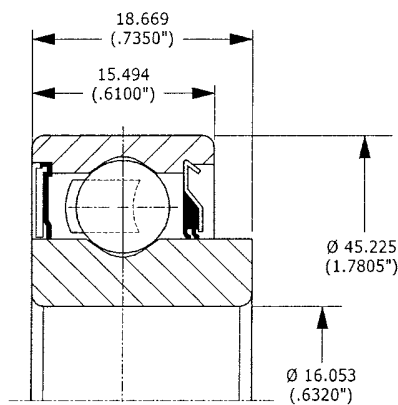
**203KRR3**



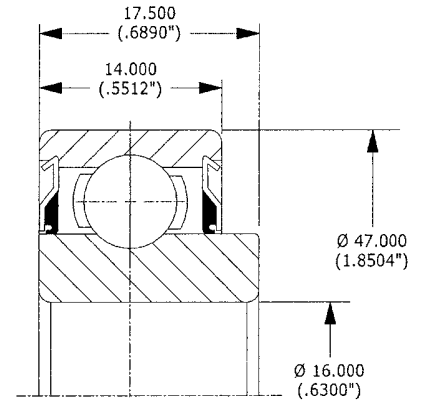
**203KRR6**



**203NPP9**



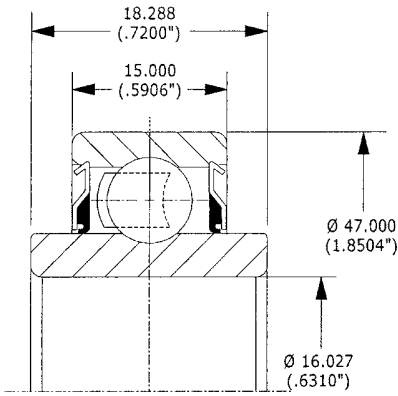
**204JY3**



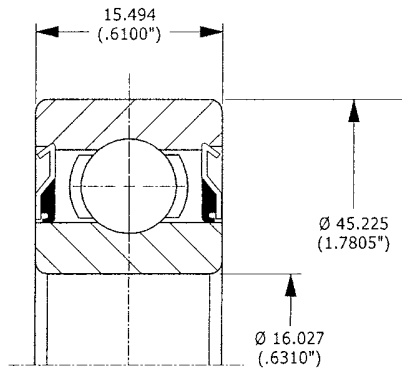
**204KRD4**



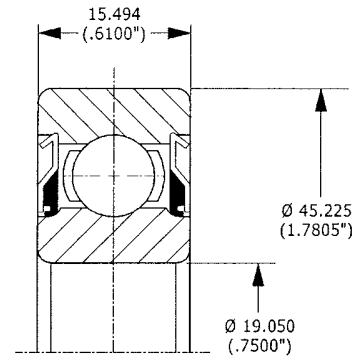
# SPECIALS



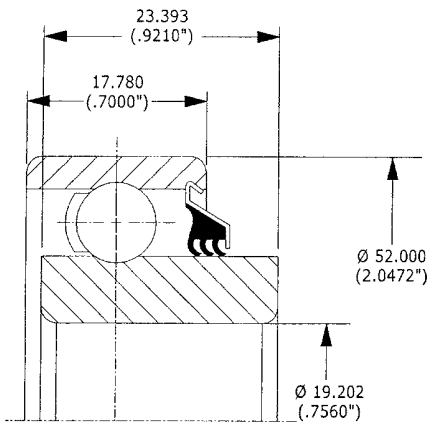
**204KRR14**



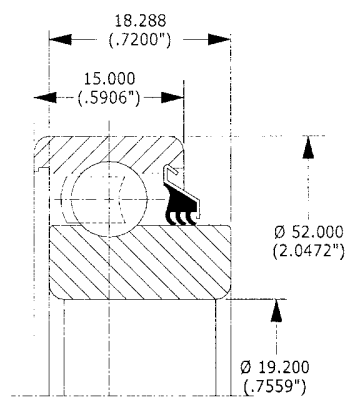
**204RR8**



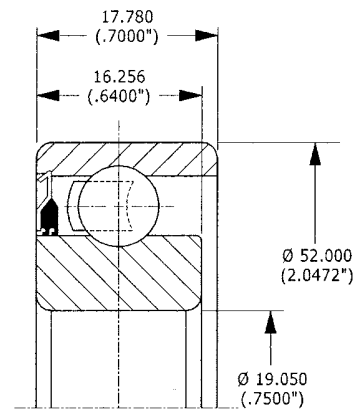
**Z9504-2RST**



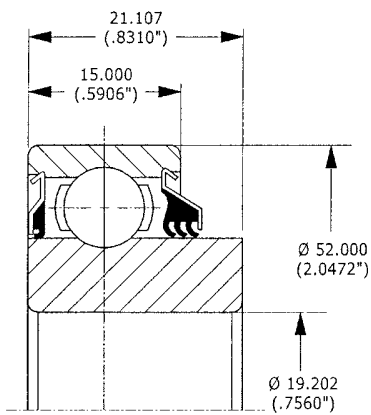
**205KP6**



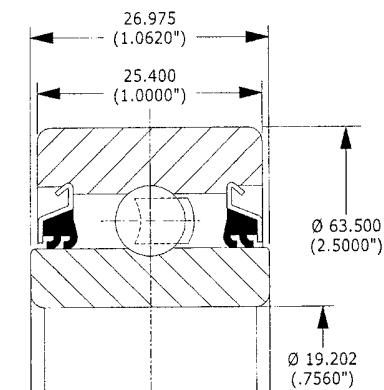
**205KP8**



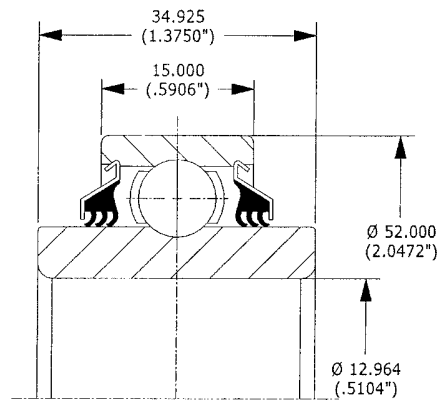
**205KR3**



**205KRP2**

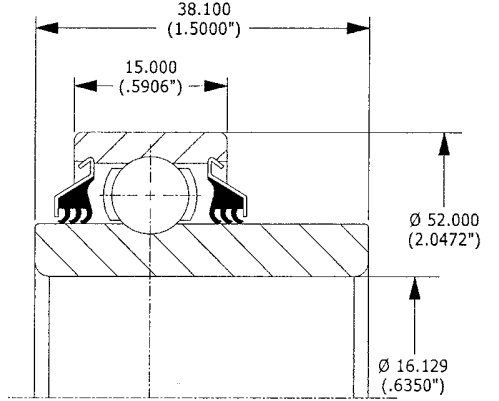
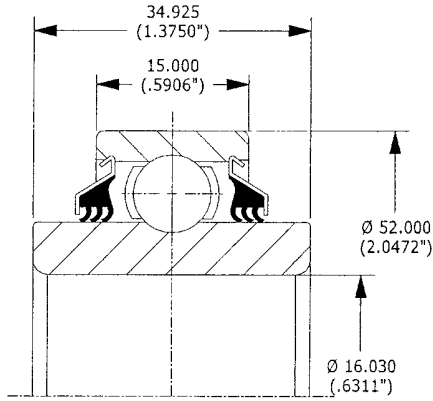
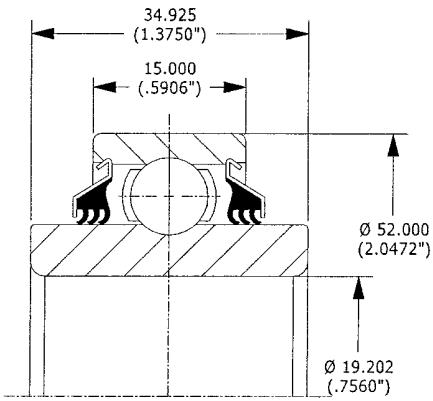


**205KYY3**



**205PP8**

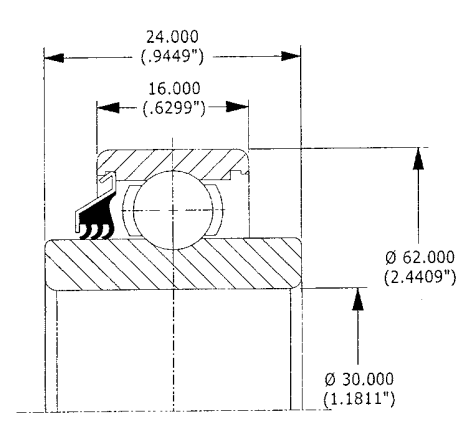
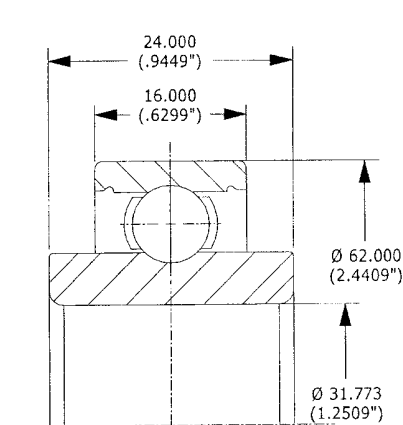
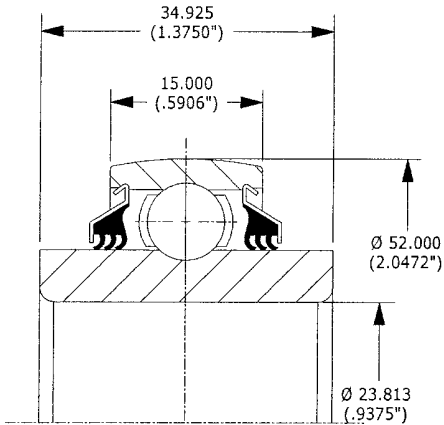
# SPECIALS



**205PP9**

**205PP10**

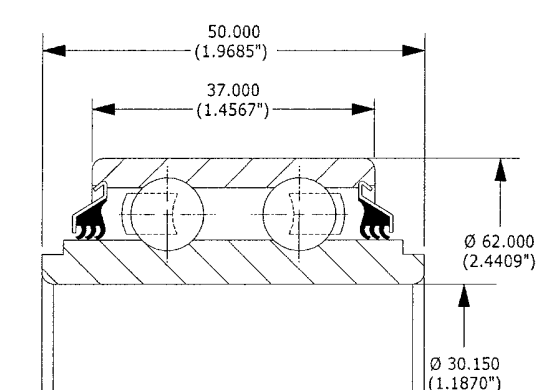
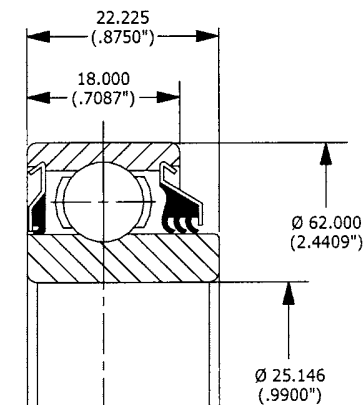
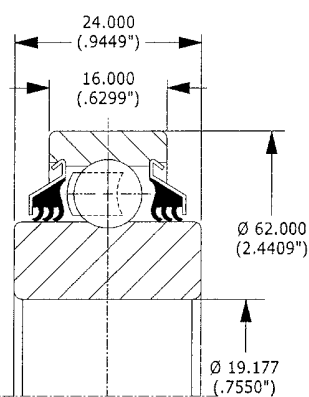
**205PP12**



**205PPB7**

**206K14**

**206KP2**

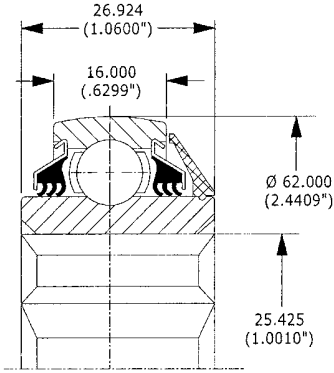


**206KPP16**

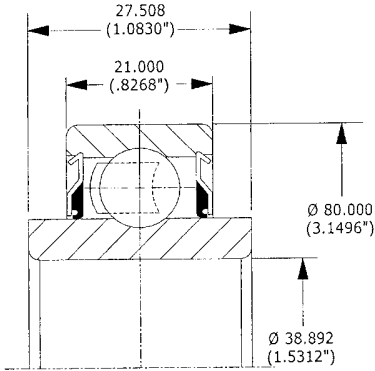
**206KRP4**

**5206KPP3**

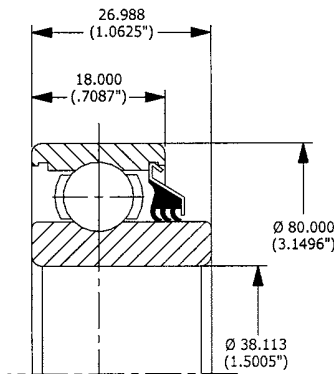
# SPECIALS



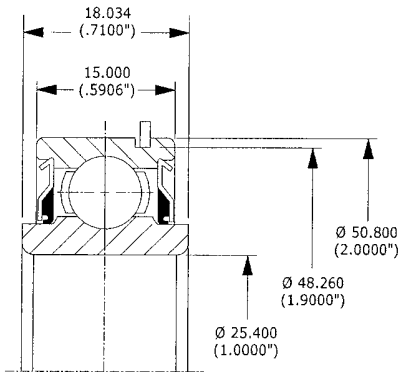
**206KPPB5**



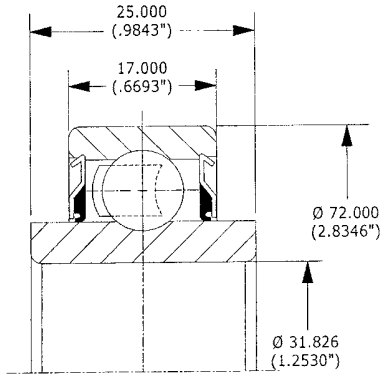
**208KRR4**



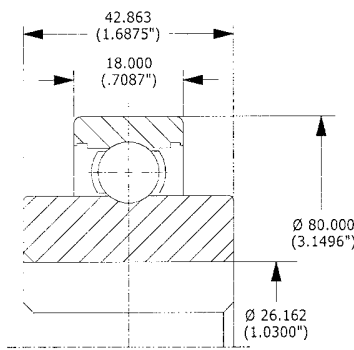
**208KP2**



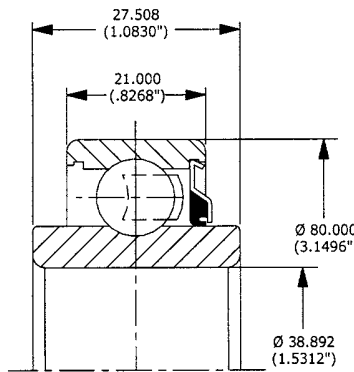
**X365**



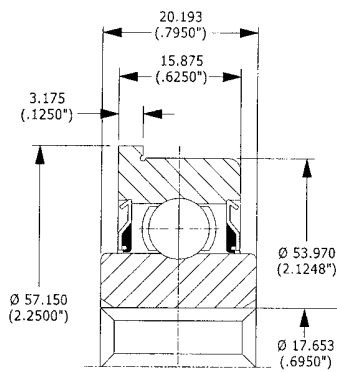
**207KRR14**



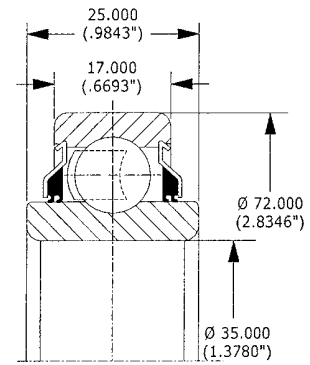
**W208K2**



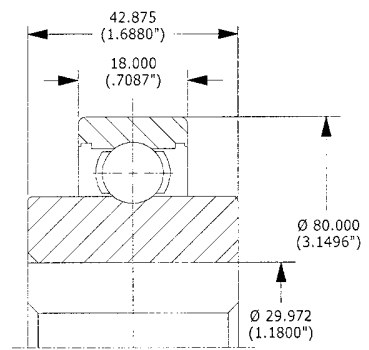
**208KR4**



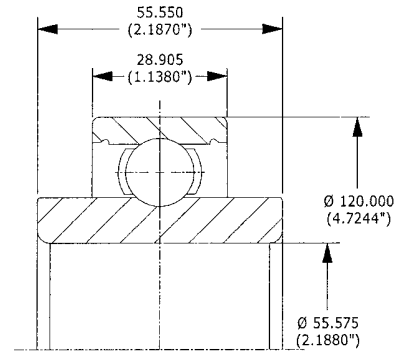
**RX84**



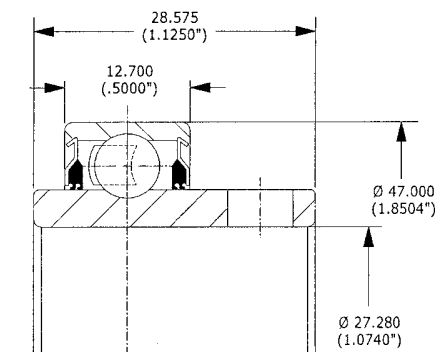
**207KYY**



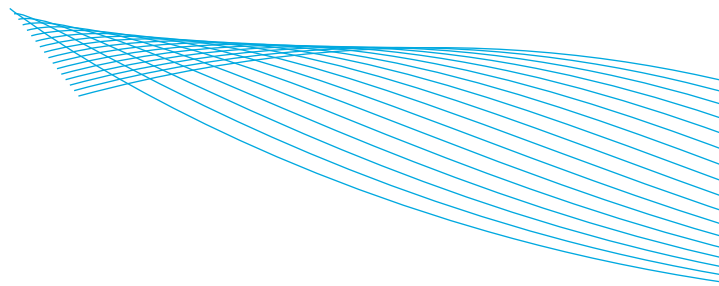
**W208K3**



**W213-8445**



**FHRL6005-BB9105**



## SHANGHAI JINB BEARING CO.,LTD.

Add: Rm1204,201# Tangqiao Xin Rd.,  
Shanghai, 200127, China.

Tel: +86-21-6153 6567

Fax: +86-21-6129 4432

E-mail: [jinb@jinb.cc](mailto:jnb@jinb.cc)

Web: [www.jinb.cc](http://www.jinb.cc)